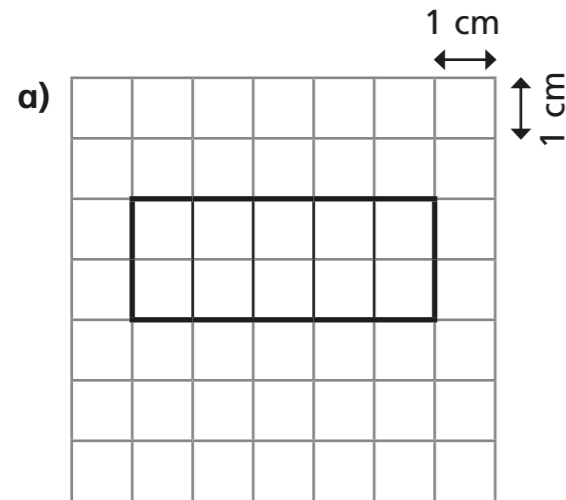
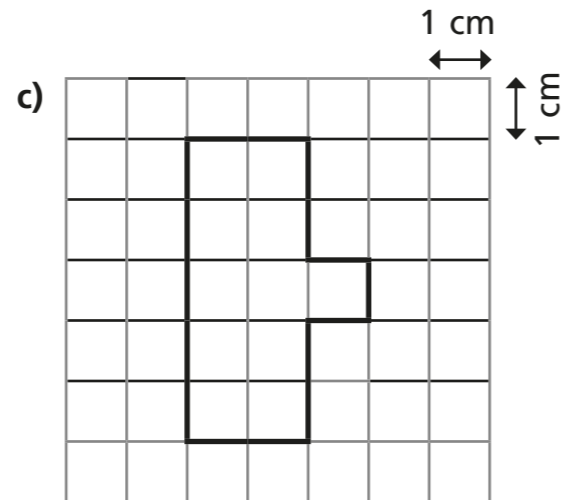


Calculate perimeter

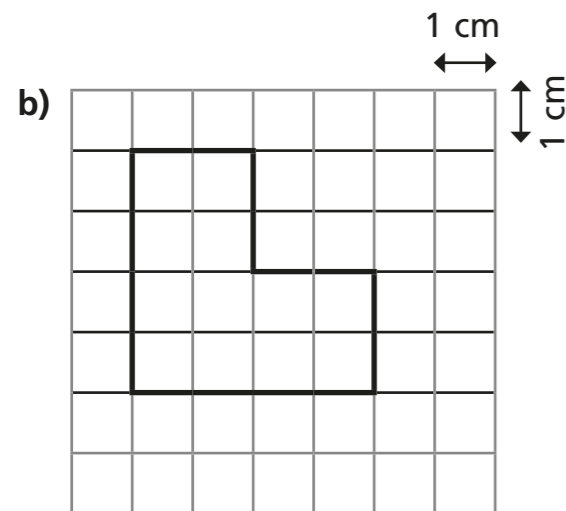
1 Calculate the perimeter of each shape.



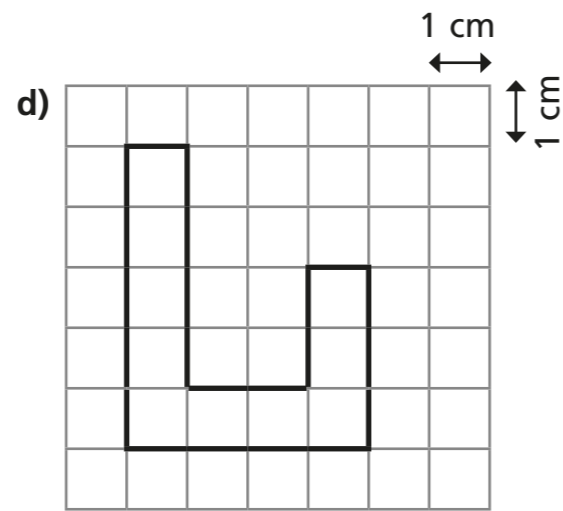
14 cm



16 cm

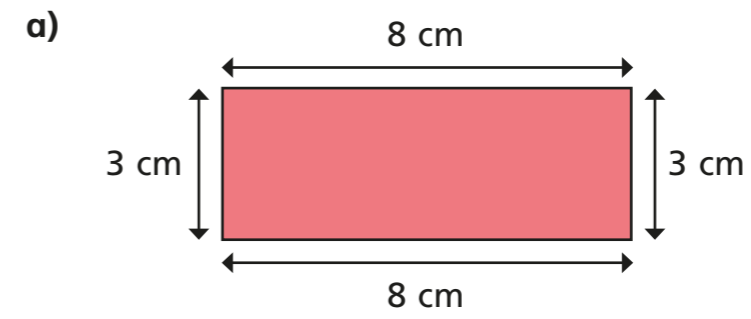


16 cm

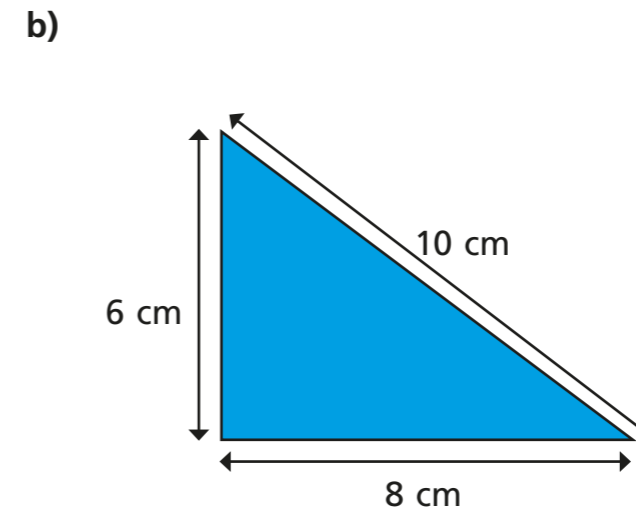


22 cm

2 Calculate the perimeter of these shapes.

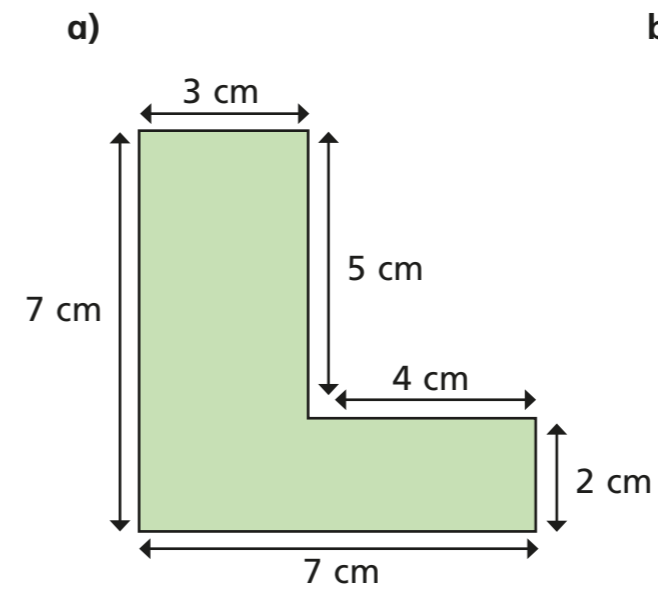


22 cm

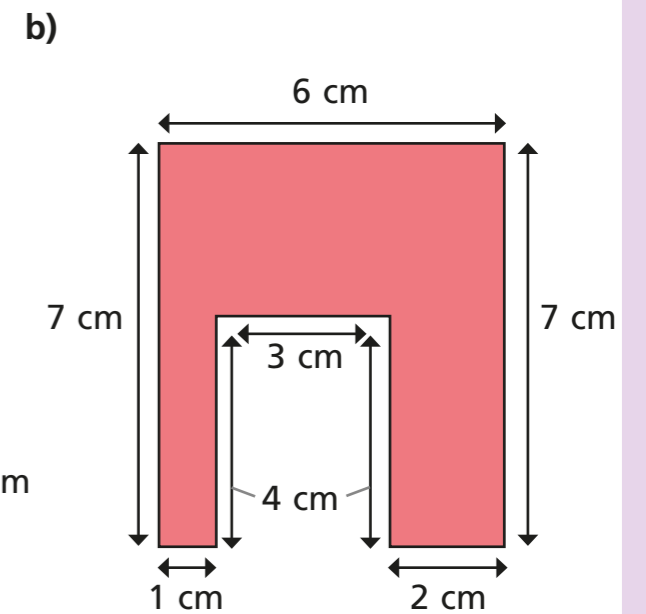


24 cm

3 Calculate the perimeter of these shapes.

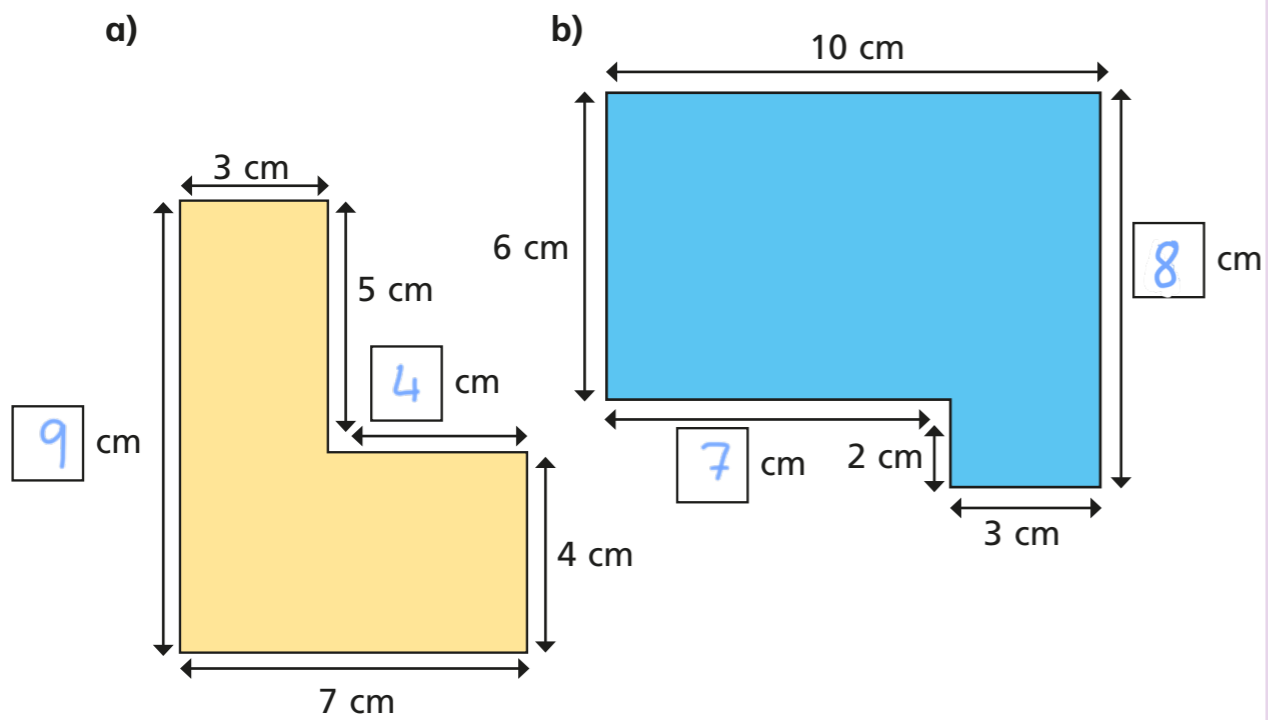


28 cm



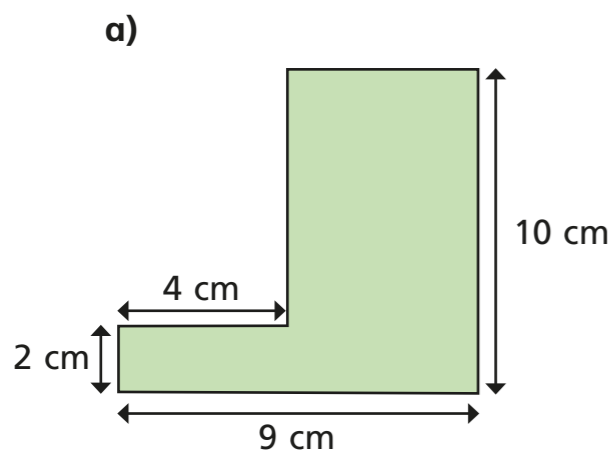
34 cm

4 Work out the missing lengths on these shapes.

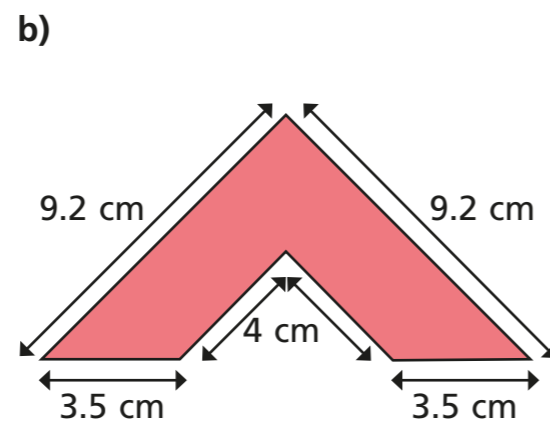


Discuss with a partner how you worked them out.

5 Calculate the perimeter of these shapes.



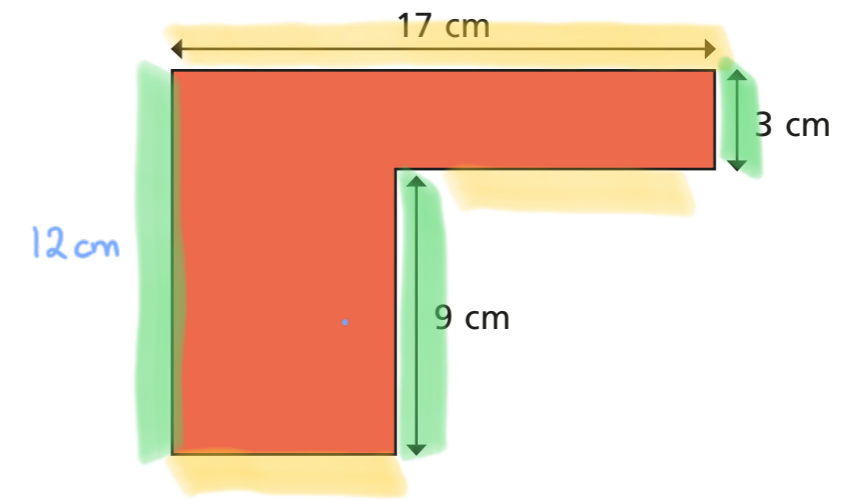
38cm



33.4cm

6 Mo thinks that there is not enough information to calculate the perimeter of the shape.

Is he correct? How do you know?

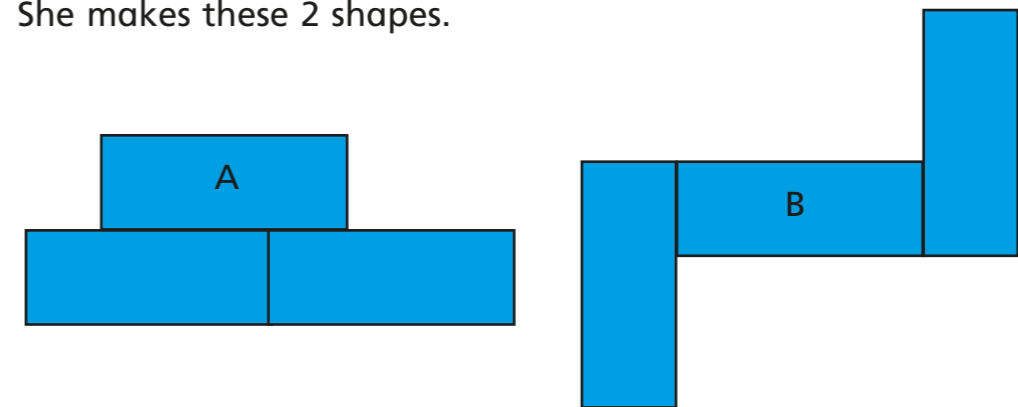


NO. The perimeter is 58cm.

7 Rosie is making shapes made up of 3 rectangles.

Each rectangle has a length of 10 cm and a width of 4 cm.

She makes these 2 shapes.



a) Which shape has the greatest perimeter? B

b) What other shapes can you make with 3 rectangles?

What is the perimeter of the shapes?